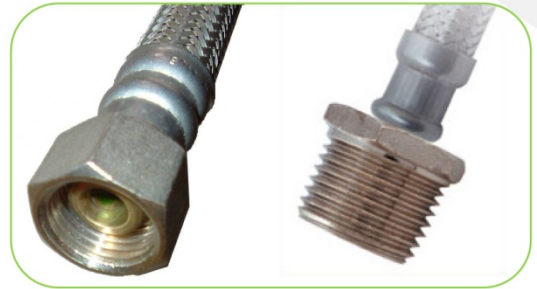


## FLEXIBLE HOSES for the HVAC Industry

### Description

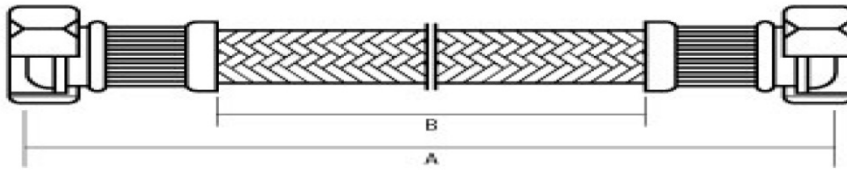
The hose consists of 304 stainless steel braided Outer casing and an Inner tube of Ethlene Propylene Diene Monomer (**EPDM**) for Chilled Water applications. They are supplied with either Flat Seat or BSP Fittings. The **flat seat** flexible connector is spanner tightened and carries a special fibre flat seat seal. This is a high integrity fitting. The **BSP** range of flexible connectors is tapered threads designed for thread sealing after spanner tightening. The use of thread sealant is recommended.



BSP Female & Male Fitting

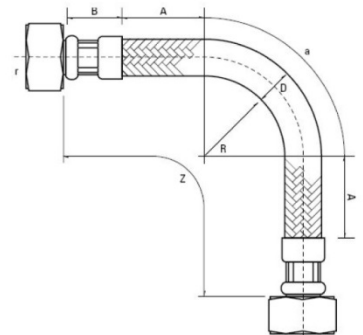
### Hose Length

The nominal length L of the hose is 500mm (as standard) but can be supplied in lengths of 750mm or 1000mm. Other intermediate lengths are available on request.



### Specification

IDmm	Max: Pressure		Temperature Range	MAXIMUM BEND RADIUS					
	KPA	PSI		R	A	D (OD)	B	Z a=90	Z a=180
8	3450	500	5°C to 95°C	25	25	13	20	140	190
10	3000	437	5°C to 95°C	30	30	15	21.5	165	220
12	2585	375	5°C to 95°C	35	35	17	28	195	265
15	2415	350	5°C to 95°C	42	42	21	35	235	315
20	2070	300	5°C to 95°C	55	5	27.5	35	290	396



### Custom Manufacture

Hoses can be manufactured in custom lengths and with any available fitting type to suit specific project requirements as they are manufactured in Australia and don't rely on imports.